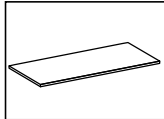
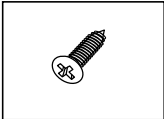
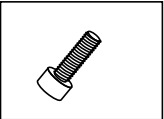
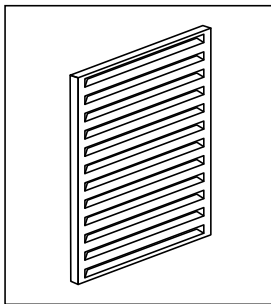
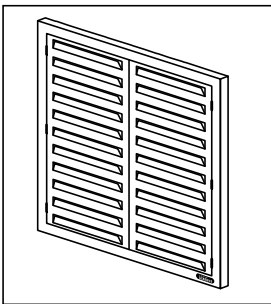
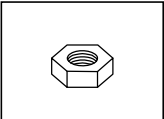
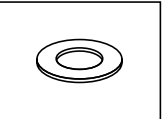
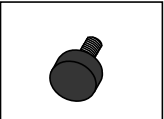


SWIMMING POOL PUMP COVER

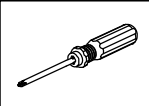

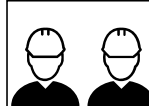
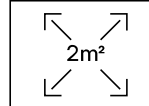

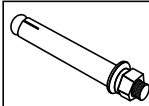
WARNINGS

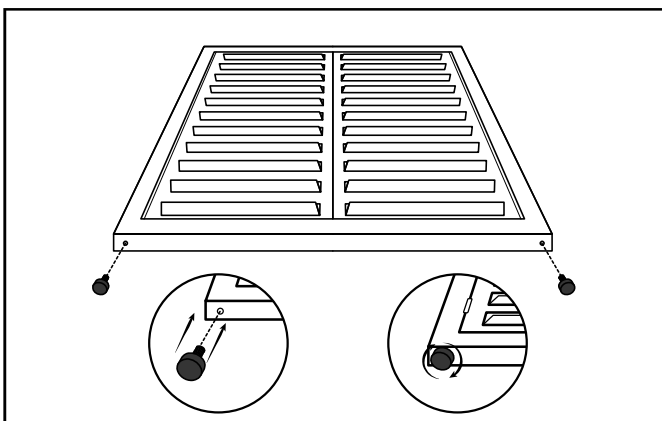
- Assembly should be carried out by a qualified person. Incorrect installation may lead to the cover falling, potentially causing injury or damage.
- This pool pump cover must be securely anchored to a solid floor or to a back wall.
- Wall anchors are not included due to the variety of wall materials. Ensure you use appropriate anchors for your wall or floor type.
- The aluminium screen may have sharp edges. Wear cut-resistant gloves during installation.
- Do not sit on the screen.

CONTENTS

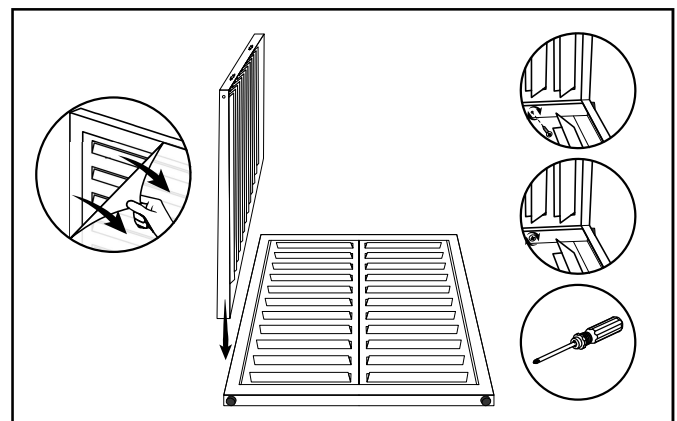
BOX 1 (Small Box)				BOX 2 (Larger Box)		
	1 TWO PANEL HINGED TOP	10 PHILLIPS HEAD SCREWS	4 HEX HEAD SCREWS		2 SIDE PANELS	1 FRONT PANEL WITH 2 DOORS
						
	6 NUTS	6 WASHERS	4 RUBBER MOUNTS			

REQUIREMENTS

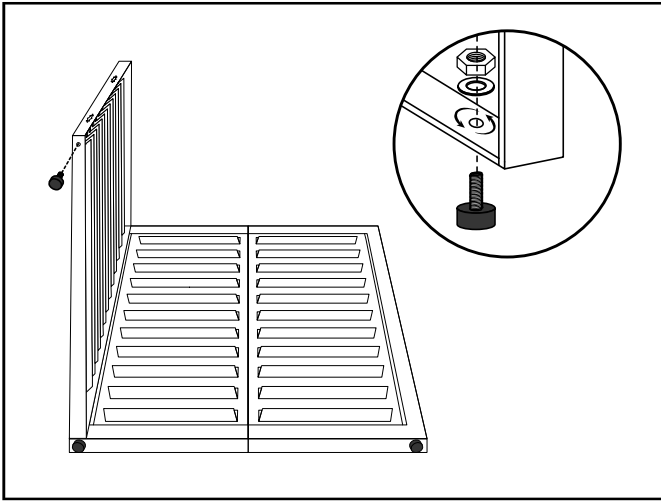
TO ASSEMBLE THE ALUMINIUM AIR CONDITIONER SCREEN, YOU WILL REQUIRE					TO ATTACH THE SCREEN TO THE WALL, YOU WILL REQUIRE	
					Please research and procure appropriate anchors suitable for your wall or floor material. Install anchors according to manufacturer guidelines.	
PHILLIPS HEAD SCREW DRIVER	ALLEN KEY	2 PERSON	2m² ASSEMBLY AREA	20 MINUTES ASSEMBLY TIME	 4 WALL ANCHORS	



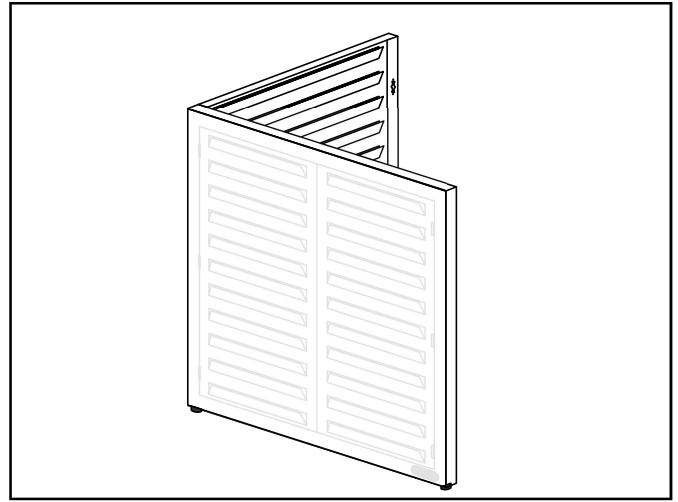
STEP 1: Do not remove protective film yet. Place front panel face down. Lay it on the flattened box to avoid scratching the screen. Screw the rubber mounts into the holes on either side of the bottom frame.



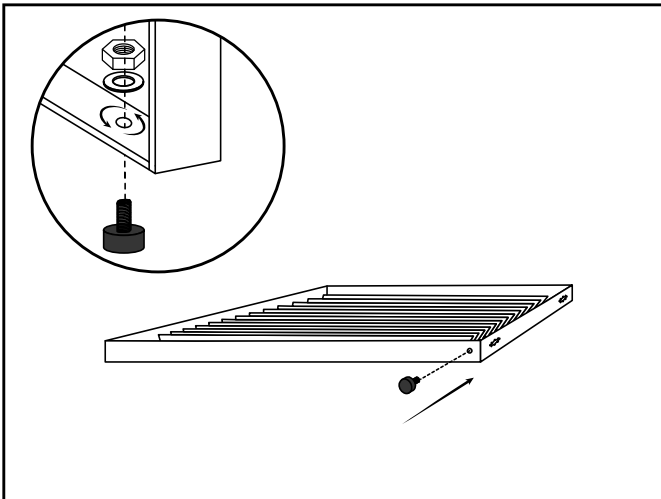
STEP 2: Remove the protective film from the side panels. Attach ONE side panel to the front frame using the Philips head screws. Ensure the louvres match the direction of the front panel.



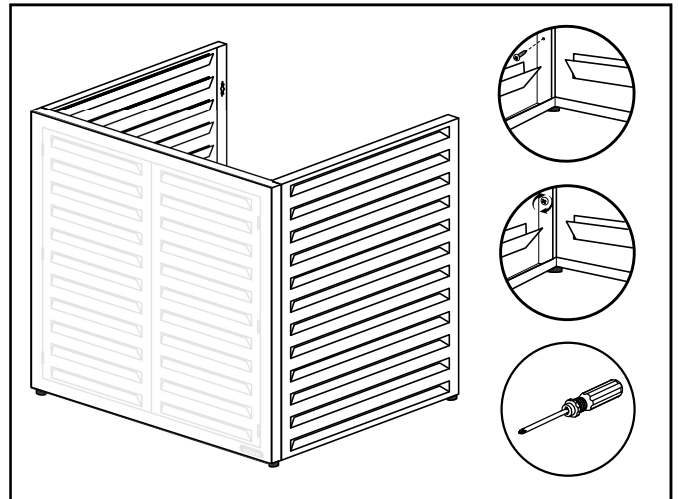
STEP 3: Install the rubber mount on the rear side of the side panel. Use a washer and nut.



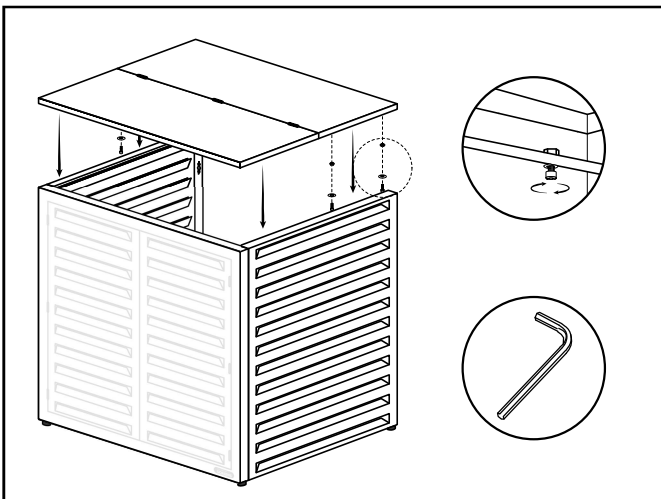
STEP 4: Carefully stand the two joined panels.



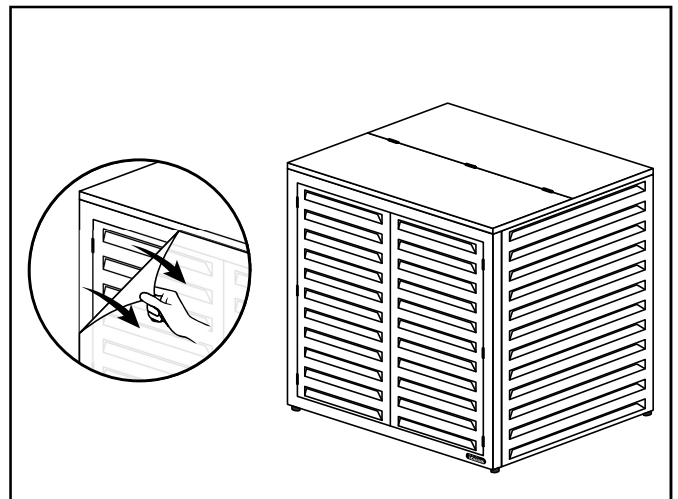
STEP 5: Lay the remaining side panel on the flattened cardboard. Install the rubber mount on the rear side of the side panel. Use a washer and nut.



STEP 6: Attach the side panels to the front panel frame using the Phillips head screws.



STEP 7: Align the hinged panel so the holes align with the holes on the rear side of the base. Secure using the hex head screws, nuts, and washers supplied. Use an Allen key to tighten the screws.



STEP 8 : Remove the protective film from the front panel.

⚠ Ensure you do not pull the screen onto yourself. Always have a second person hold the screen in place during installation.

MAINTENANCE

- The screen requires minimal maintenance under normal conditions.
- Clean with water and a neutral detergent as needed.

Additional information is available on our website www.outdoorscreens.com.au
For further assistance or queries, please contact our office on 07 549 777 66.