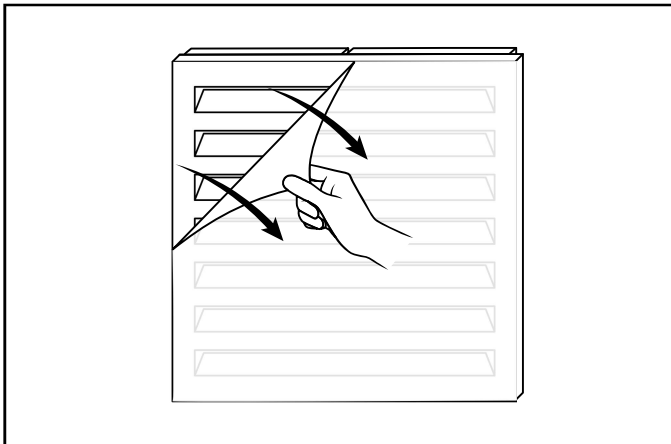
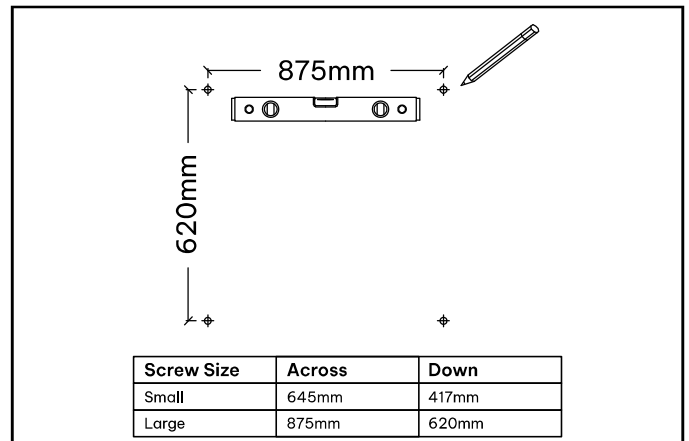


WALL MOUNTED SCREEN

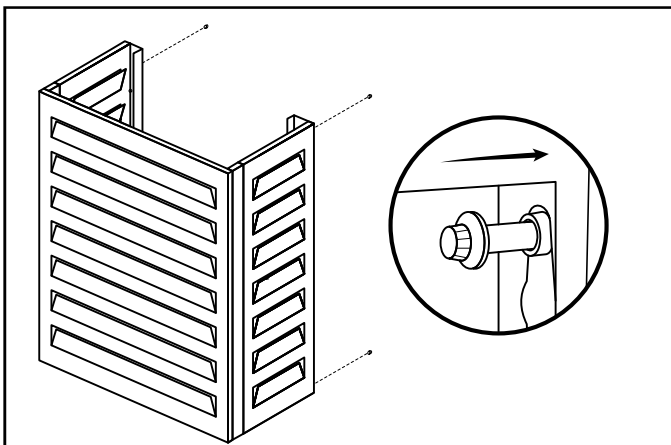
Models: Solara



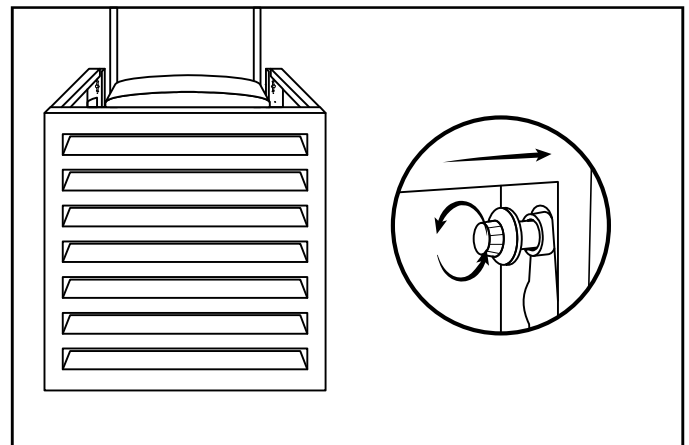
STEP 1: Peel off all protective film from the aluminium panels. To avoid scratching, place the screen on the flattened cardboard packaging.



STEP 2: Mark the wall according to the size chart provided and install suitable wall anchors (not included). Screw the bolts in almost all the way, leaving a 3mm gap to fit the 2mm thickness of the aluminium.



STEP 3: Once the wall anchors are securely installed, hang the screen by lifting it and slotting the wall bolts into the eyelet cutouts on the back of the screen. Tighten the wall bolts securely.



STEP 4: Please research and purchase the correct wall anchors based on your wall type/material and the weight of your screen. Fix the wall anchors as per the manufacturer's instructions.

WARNINGS

- Incorrect installation may result in the screen falling, causing injury or damage.
- Wall anchors are not included due to the variety of wall materials. Ensure you use appropriate anchors for your wall type.
- The aluminium screen may have sharp edges. Wear cut-resistant gloves during installation

MAINTENANCE

- The screen requires minimal maintenance under normal conditions.
- Clean with water and a neutral detergent as needed.
- To remove the screen, slightly loosen the bolts, lift, and unhook the screen from the wall anchors.

Additional information is available on our website www.outdoorscreens.com.au
For further assistance or queries, please contact our office on 07 549 777 66.