

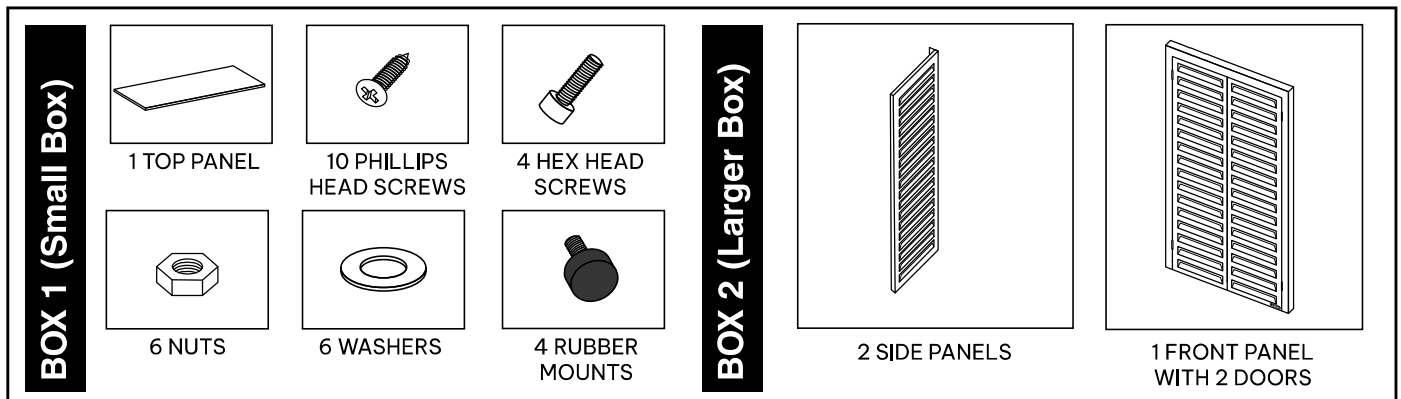
GAS BOTTLE COVER

ASSEMBLY INSTRUCTIONS

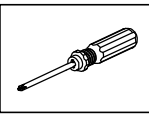
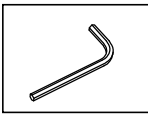
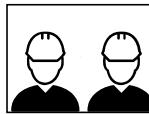
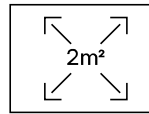

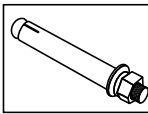
WARNINGS

- Assembly should be carried out by a qualified person. Incorrect installation may lead to the cover falling, potentially causing injury or damage.
- This gas bottle cover must be securely anchored to a solid floor or to a back wall.
- Wall anchors are not included due to the variety of wall materials. Ensure you use appropriate anchors for your wall or floor type.
- The aluminium screen may have sharp edges. Wear cut-resistant gloves during installation.
- Do not sit on the screen.

CONTENTS



REQUIREMENTS

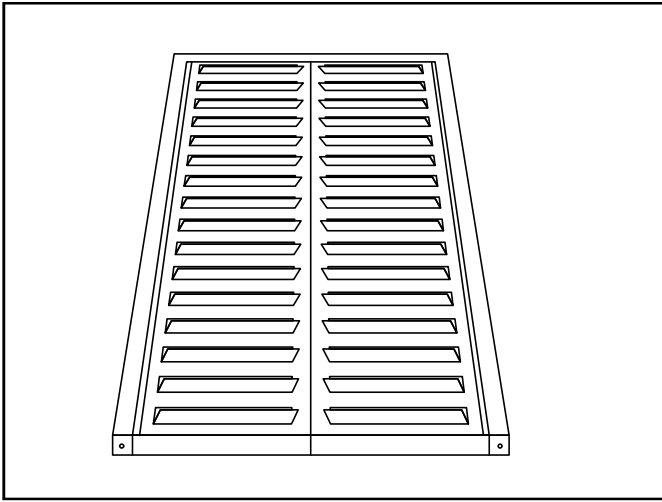
TO ASSEMBLE THE ALUMINIUM AIR CONDITIONER SCREEN, YOU WILL REQUIRE					TO ATTACH THE SCREEN TO THE WALL, YOU WILL REQUIRE
					
PHILLIPS HEAD SCREW DRIVER	ALLEN KEY	2 PERSON	2m² ASSEMBLY AREA	20 MINUTES ASSEMBLY TIME	4 WALL ANCHORS

Please research and purchase the correct wall anchors based on your wall type/material. Fix the wall anchors as per the manufacturer's instructions.

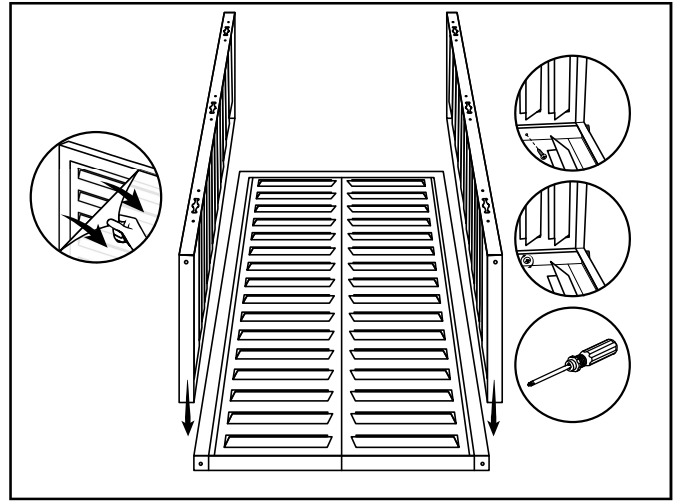
MAINTENANCE

- The screen requires minimal maintenance under normal conditions.
- Clean with water and a neutral detergent as needed.

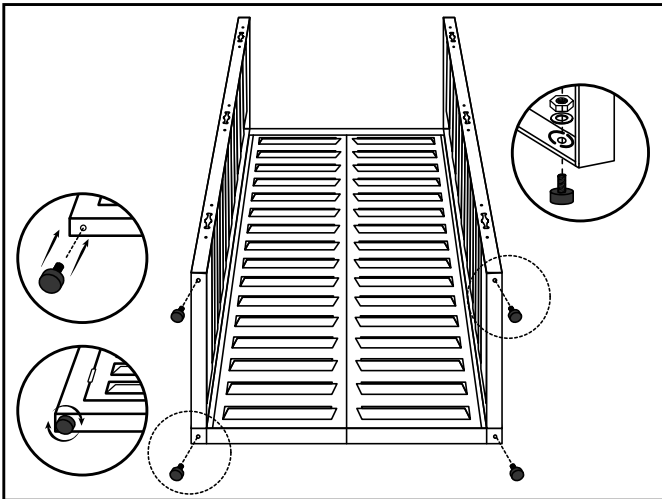
Additional information and instructional videos are available on our website
www.outdoorscreens.com.au
 For further assistance or queries, please contact our office on 07 549 777 66.



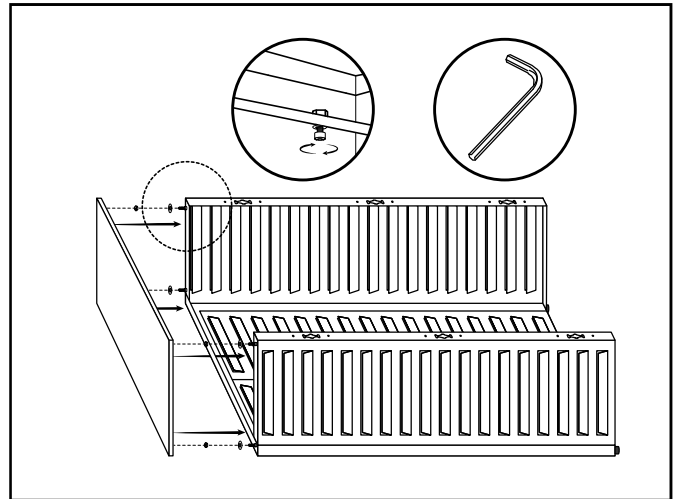
STEP 1: Do not remove protective film yet. Place front panel face down. Lay it on the flattened box to avoid scratching the screen.



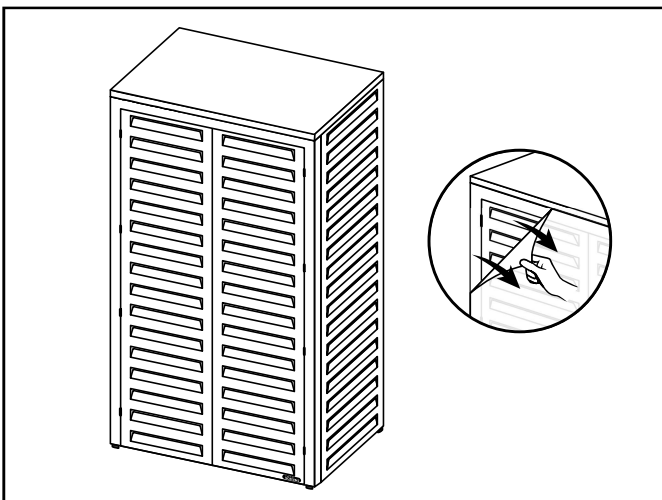
STEP 2: Remove the protective film from the side panels. Attach the side panels to the front frame using the Philips head screws. Ensure the louvres match the direction of the front panel.



STEP 3: Install the rubber mounts. The 2 front mounts are screwed directly into the front door frame. For the rear rubber mounts, use the washers and nuts provided.

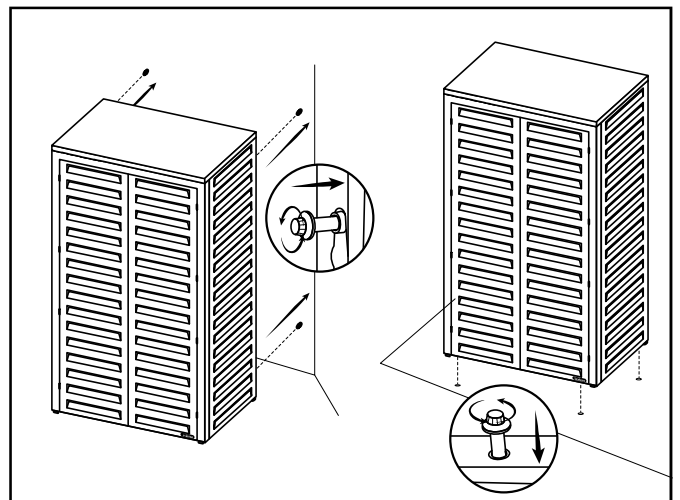


STEP 4: Align the top panel and secure using the hex head screws, nuts, and washers supplied. Use an Allen key to tighten the screws.



STEP 5 : Carefully stand the assembled unit. Remove the protective film from the front panel.

⚠ Ensure you do not pull the screen onto yourself. Always have a second person hold the screen in place during installation.



STEP 6: Mark the back wall and install suitable wall anchors (not included). If anchoring to the floor, use the holes on the bottom of the side panels.